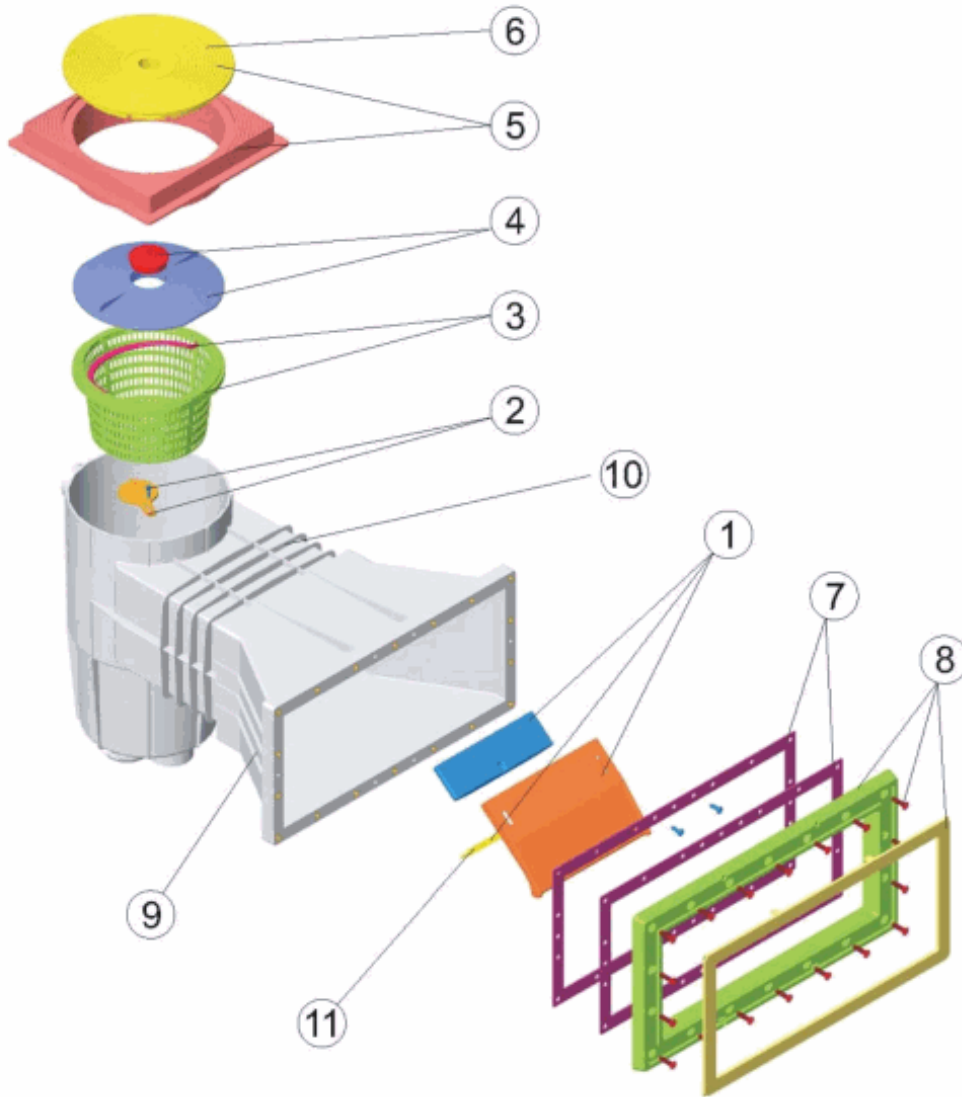


CODE **01464**

BESCHREIBUNG: **SKIMMER 15L PP MÜNDUNG ERWEITERUNG DECKEL QUADRATISCH**

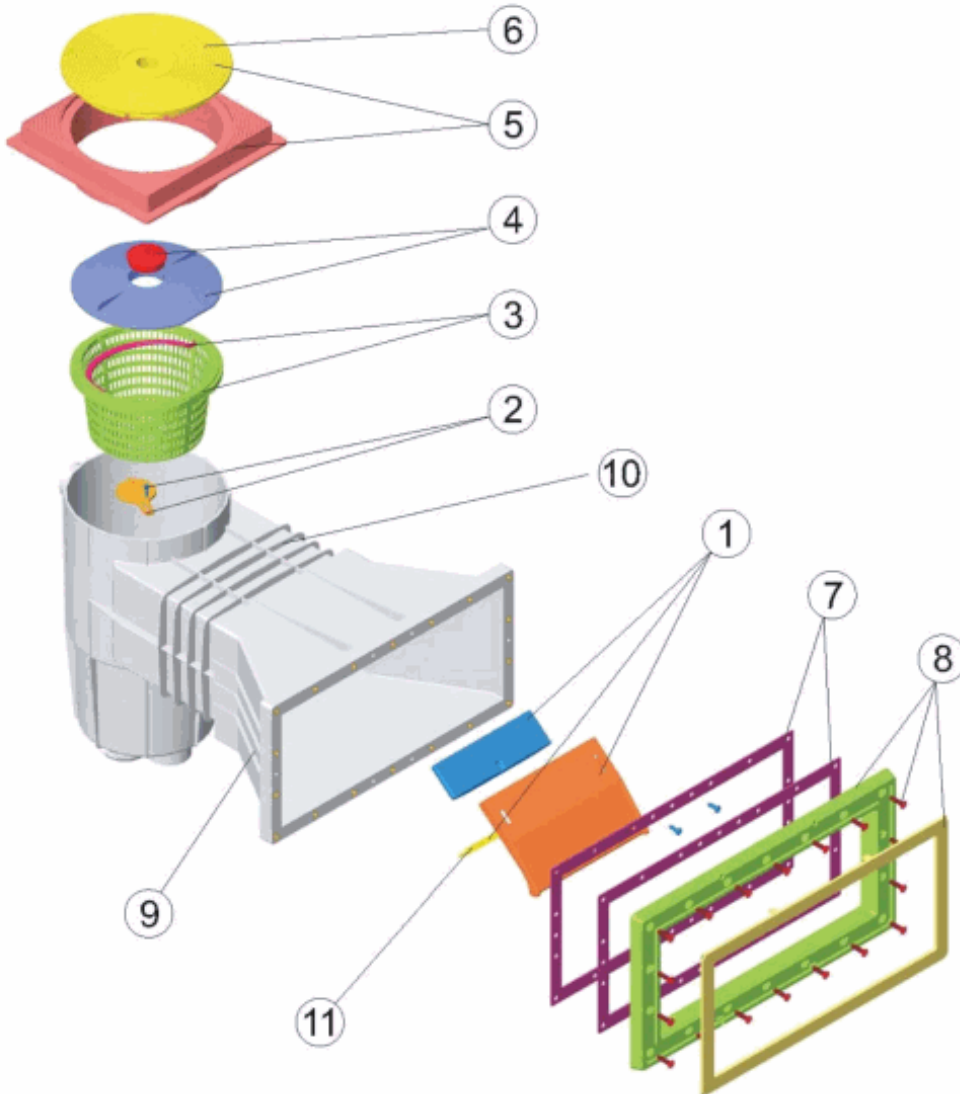


**DEUTSCHE**

POS	CODE	BESCHREIBUNG	POS	CODE	BESCHREIBUNG
1	4402010101	SKIMMERKLAPPE	7	4402010407	DICHTUNGSSATZ BREITMAUL
2	4402010102	ABDECKKAPPE	8	4402010408	FLANSCHRAHMENSATZ BREITMAUL
3	4402010103	SKIMMERKORB	9	02211R2001	ERWEITERUNGSMÜNDUNG
4	4402010104	SAUGANSCHLUSSPLATTE + STOPFEN	10	00249R0011	SKIMMERKÖRPER
5	4402010106	SKIMMERDECKELSATZ QUADRATISCH	11	4402010110	ACHSE SKIMMERKLAPPE
6	4402010108	SKIMMERDECKEL RUND			

CODE **01464**

DESCRIPTION: **SKIMMER 15L PP. B. EXTENSION SQUARE COVER**

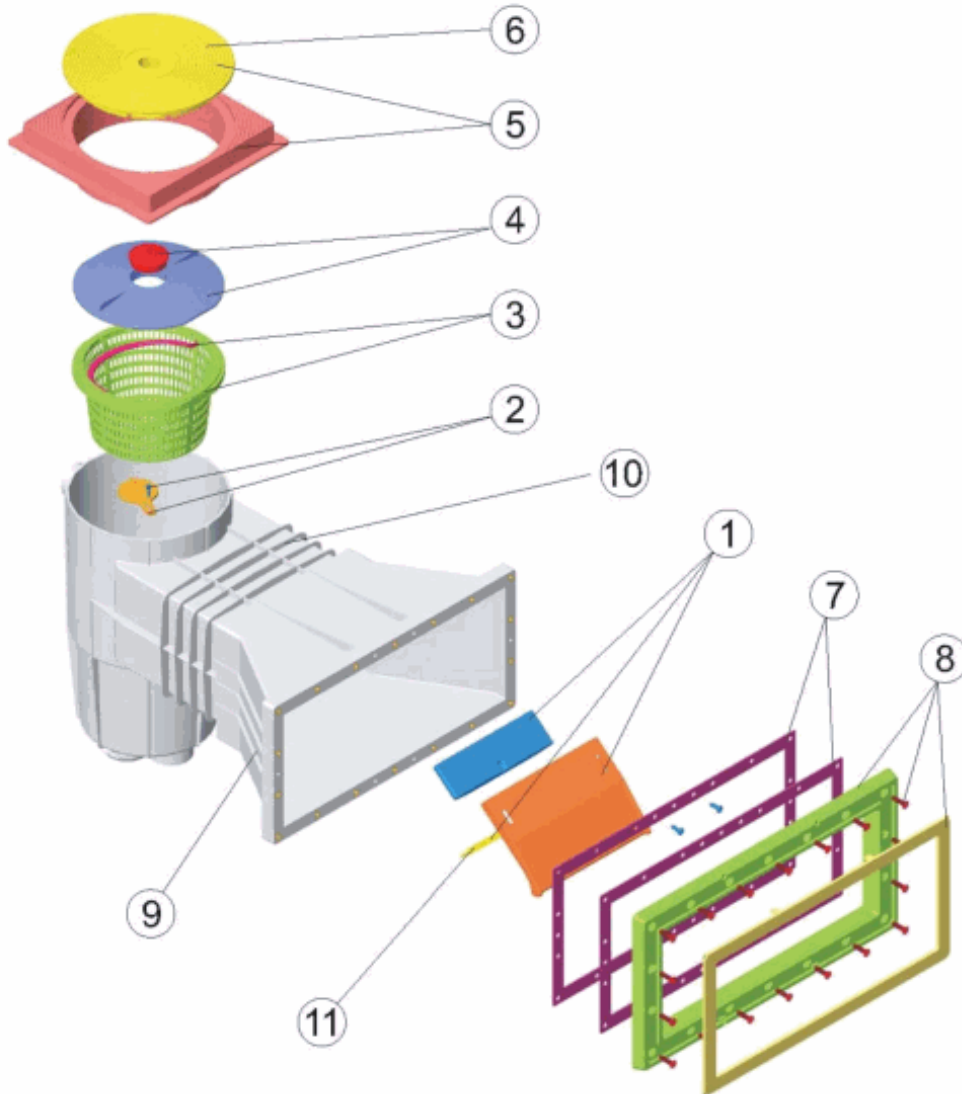


**ENGLISH**

POS	CODE	DESCRIPTION	POS	CODE	DESCRIPTION
1	4402010101	FLAP RETAINING CLIP	7	4402010407	LARGE SKIMMER GASKETS FOR LINER
2	4402010102	KEYHOLE FLAP	8	4402010408	SKIMMER FRAME FOR LINER
3	4402010103	SKIMMER BASKET	9	02211R2001	WIDE THROAT
4	4402010104	VACUUM PLATE WITH PLUG	10	00249R0011	SKIMMER BODY
5	4402010106	SQUARE LID AND LID FRAME	11	4402010110	HINGE FLAP
6	4402010108	CIRCULAR SKIMMER LID			

CODIGO **01464**

DESCRIPCION: **SKIMMER 15L PP. B.AMPLIACION TAPA CUADRADA**

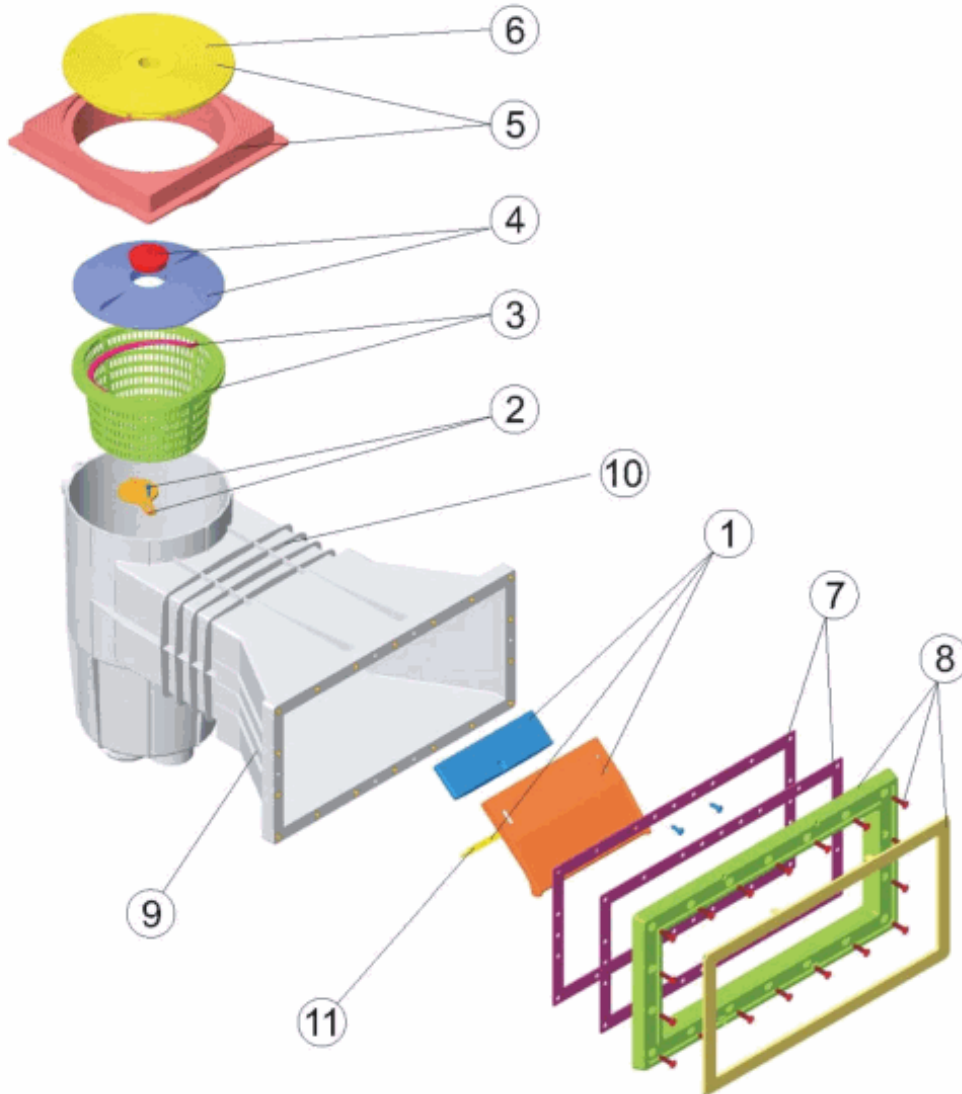


**ESPAÑOL**

POS	CODIGO	DESCRIPCION	POS	CODIGO	DESCRIPCION
1	4402010101	COMPUERTA SKIMMER BISAGRA	7	4402010407	JUNTA SKIMMER GRANDE PISC. PREF.
2	4402010102	CLAPETA SKIMMER	8	4402010408	MARCO BOCA SKIMMER PISC. PREF.
3	4402010103	CESTO SKIMMER	9	02211R2001	BOCA AMPLIACION
4	4402010104	TAPA CESTO SKIMMER CON TAPON	10	00249R0011	CUERPO SKIMMER 15L 2004
5	4402010106	TAPA Y ARO CUADRADO SKIMMER	11	4402010110	BISAGRA COMPUERTA
6	4402010108	TAPA CIRCULAR SKIMMER			

CODE **01464**

DESCRIPTION: **SKIMMER 15L PP. O.ÉLARGISSEMENT COUVERCLE CARRÉ**

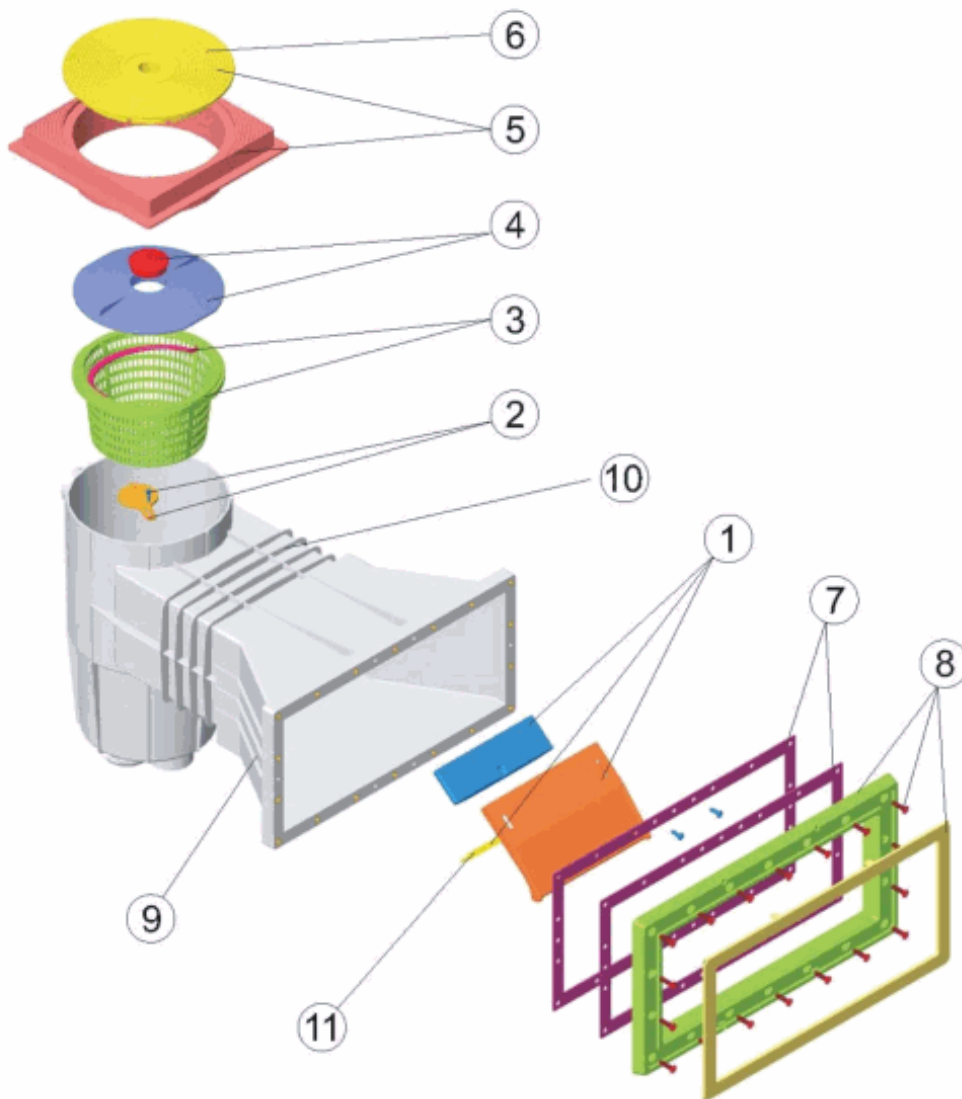


**FRANCAIS**

POS	CODE	DESCRIPTION	POS	CODE	DESCRIPTION
1	4402010101	VOLET ET CHARNIERE SKIMMER	7	4402010407	JOINT SKIM GRAND MOD PISCINE LINER
2	4402010102	CLAPET SKIMMER	8	4402010408	BRIDE ET CACHE VIS KIT LINER
3	4402010103	PANIER SKIMMER	9	02211R2001	MEURTRIERE
4	4402010104	COUVERCLE PANIER SKIMMER AVEC BOUCHON	10	00249R0011	CORPS DU SKIMMER 15L
5	4402010106	COUVERCLE ET CADRE CARRE SKIMMER	11	4402010110	CHARNIERE VOLET
6	4402010108	COUVERCLE ROND SKIMMER			

CODICE **01464**

DESCRIZIONE: **SKIMMER 15L PP B. AMPLIAZIONE TAPPO QUADRATO**

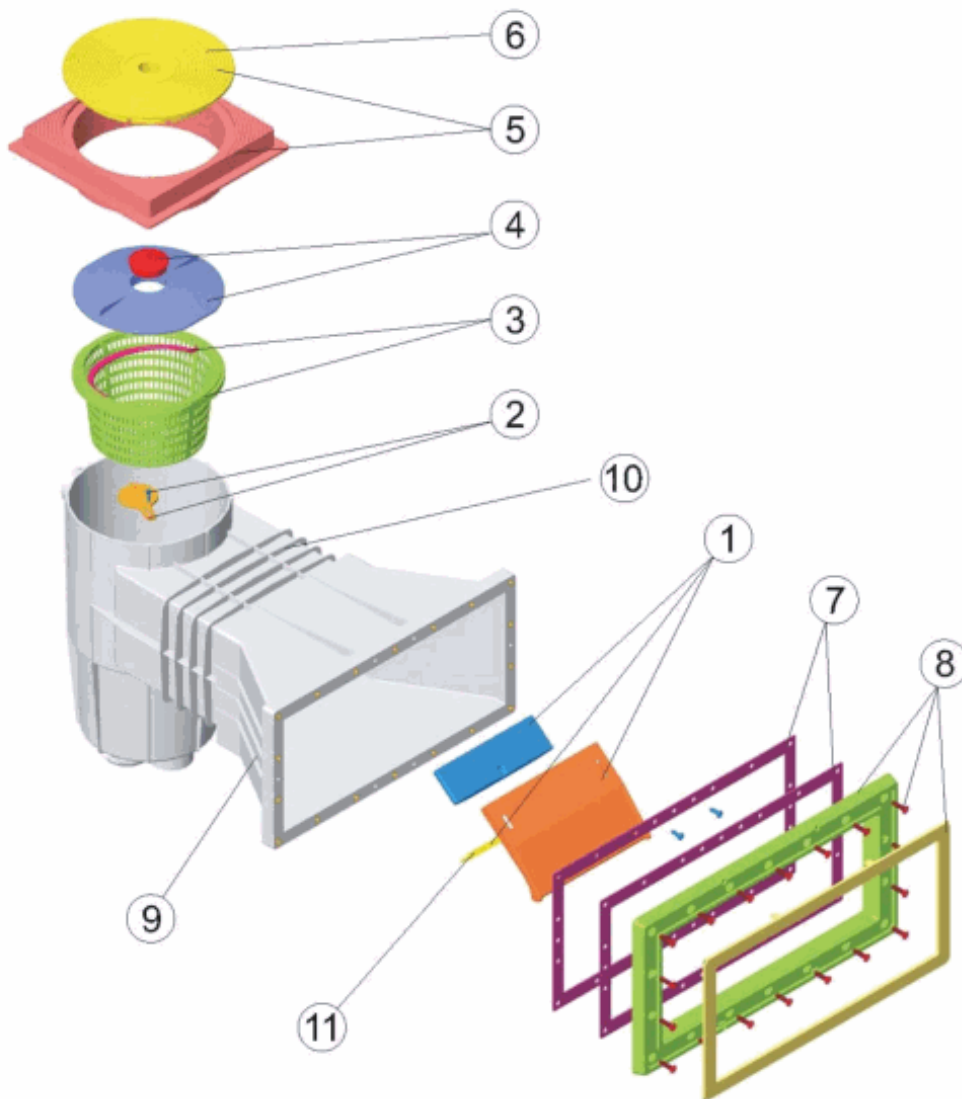


**ITALIANO**

POS	CODICE	DESCRIZIONE	POS	CODICE	DESCRIZIONE
1	4402010101	BATTENTE SKIMMER CON PERNO	7	4402010407	GUARNIZIONE PER SKIMMER BOCCA A V PER P.F.
2	4402010102	ALETTA PARZIALIZZATRICE SKIMMER	8	4402010408	FLANGIA BOCCA SKIMMER PER PISCINA IN C.A.
3	4402010103	CESTELLO SKIMMER	9	02211R2001	BOCCA LARGA
4	4402010104	COPERCHIO CESTELLO SKIMMER CON TAPPO	10	00249R0011	CORPO SKIMMER 15 L
5	4402010106	COPERCHIO E CORNICE QUADRA SKIMMER	11	4402010110	CERNIERE BATTENTE
6	4402010108	COPERCHIO TONDO SKIMMER			

CODIGO **01464**

DESCRIÇÃO: **SKIMMER 15 L PP. B. AMPLIAÇÃO TAMPA QUADRADA**



**PORTUGUES**

POS	CODIGO	DESCRIÇÃO	POS	CODIGO	DESCRIÇÃO
1	4402010101	COMPORTA SKIMMER BISAGRA	7	4402010407	JUNTA GRANDE DE SKIMMER
2	4402010102	CLAPETA SKIMMER	8	4402010408	CAIXILHO BOCA SKIMMER
3	4402010103	CESTO SKIMMER	9	02211R2001	BOCA DE AMPLIAÇÃO
4	4402010104	TAMPA CESTO SKIMMER	10	00249R0011	SKIMMER 15L 2004
5	4402010106	TAMPA E ARO QUADRADO SKIMMER	11	4402010110	DOBRADIÇA COMPORTA
6	4402010108	TAMPA CIRCULAR SKIMMER			