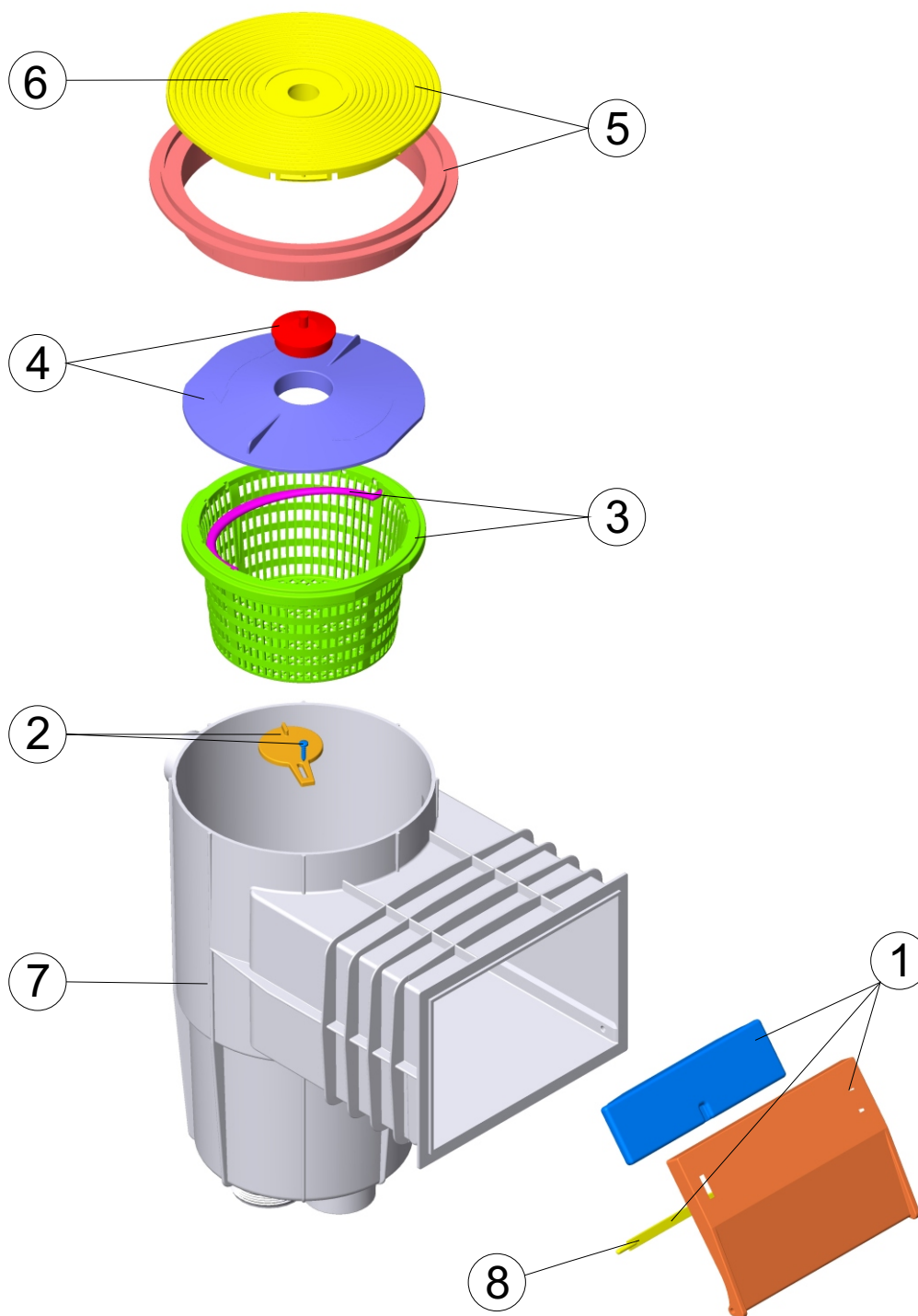


CODIGO : 00249

DESCRIPCION : SKIMMER 15L. P. H. B. STD. TAPA CIRCULAR



| POS. | CODIGO | DENOMINACION | POS. | CODIGO | DENOMINACION |
|------|------------|------------------------------|------|------------|-----------------------------|
| 1 | 4402010101 | COMPUERTA SKIMMER BISAGRA | 5 | 4402010105 | TAPA Y ARO CIRCULAR SKIMMER |
| 1 | 4402010109 | COMPUERTA SKIMMER ANTIGUA | 6 | 4402010108 | TAPA CIRCULAR SKIMMER |
| 2 | 4402010102 | CLAPETA SKIMMER | 7 | 00249R0011 | CUERPO SKIMMER 15L 2004 |
| 3 | 4402010103 | CESTO SKIMMER | 8 | 4402010110 | BISAGRA COMPUERTA |
| 4 | 4402010104 | TAPA CESTO SKIMMER CON TAPON | | | |

ENGLISH

| POS. | CODE | DESCRIPTION | POS. | CODE | DESCRIPTION |
|------|------------|------------------------|------|------------|----------------------------|
| 1 | 4402010101 | FLAP RETAINING CLIP | 5 | 4402010105 | CIRCULAR LID AND LID FRAME |
| 1 | 4402010109 | OLD STYLE SKIMMER FLAP | 6 | 4402010108 | CIRCULAR SKIMMER LID |
| 2 | 4402010102 | KEYHOLE FLAP | 7 | 00249R0011 | SKIMMER BODY |
| 3 | 4402010103 | SKIMMER BASKET | 8 | 4402010110 | HINGE FLAP |
| 4 | 4402010104 | VACUUM PLATE WITH PLUG | | | |

FRANÇAIS

| POS. | CODE | DESCRIPTION | POS. | CODE | DESCRIPTION |
|------|------------|---------------------------------------|------|------------|---------------------------------|
| 1 | 4402010101 | VOLET ET CHARNIERE SKIMMER | 5 | 4402010105 | COUVERCLE ET CADRE ROND SKIMMER |
| 1 | 4402010109 | VOLET DE SKIMMER ANCIEN MODÈLE | 6 | 4402010108 | COUVERCLE ROND SKIMMER |
| 2 | 4402010102 | CLAPET SKIMMER | 7 | 00249R0011 | CORPS DU SKIMMER |
| 3 | 4402010103 | PANIER SKIMMER | 8 | 4402010110 | CHARNIERE VOLET |
| 4 | 4402010104 | COUVERCLE PANIER SKIMMER AVEC BOUCHON | | | |

ITALIANO

| POS. | CODE | DESCRIPTION | POS. | CODE | DESCRIPTION |
|------|------------|--------------------------------------|------|------------|-----------------------------------|
| 1 | 4402010101 | BATTENTE SKIMMER CON PERNO | 5 | 4402010105 | COPERCHIO E CORNICE TONDA SKIMMER |
| 1 | 4402010109 | BATTENTE SKIMMER T/V | 6 | 4402010108 | COPERCHIO TONDO SKIMMER |
| 2 | 4402010102 | ALETTA PARZIALIZZATRICE SKIMMER | 7 | 00249R0011 | CORPO SKIMMER 15 L |
| 3 | 4402010103 | CESTELLO SKIMMER | 8 | 4402010110 | CERNIERE BATTENTE |
| 4 | 4402010104 | COPERCHIO CESTELLO SKIMMER CON TAPPO | | | |

DEUTSCH

| POS. | CODE | DESCRIPTION | POS. | CODE | DESCRIPTION |
|------|------------|-------------------------------|------|------------|------------------------|
| 1 | 4402010101 | SKIMMERKLAPPE | 5 | 4402010105 | SKIMMERDECKELSATZ RUND |
| 1 | 4402010109 | SKIMMERKLAPPE ALT | 6 | 4402010108 | SKIMMERDECKEL RUND |
| 2 | 4402010102 | ABDECKKAPPE | 7 | 00249R0011 | SKIMMERKÖRPER |
| 3 | 4402010103 | SKIMMERKORB | 8 | 4402010110 | ACHSE SKIMMERKLAPPE |
| 4 | 4402010104 | SAUGANSCHLUSSPLATTE + STOPFEN | | | |

PORTUGUÊS

| POS. | CODE | DESCRIPTION | POS. | CODE | DESCRIPTION |
|------|------------|--------------------------|------|------------|------------------------------|
| 1 | 4402010101 | COMPORTA SKIMMER BISAGRA | 5 | 4402010105 | TAMPA E ARO CIRCULAR SKIMMER |
| 1 | 4402010109 | COMPORTA SKIMMER ANTIGA | 6 | 4402010108 | TAMPA CIRCULAR SKIMMER |
| 2 | 4402010102 | CLAPETA SKIMMER | 7 | 00249R0011 | SKIMMER 15L 2004 |
| 3 | 4402010103 | CESTO SKIMMER | 8 | 4402010110 | DOBRADIÇA COMPORTA |
| 4 | 4402010104 | TAMPA CESTO SKIMMER | | | |